



# multi edge METAL

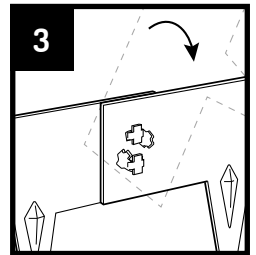
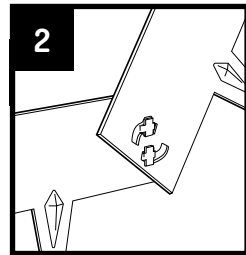
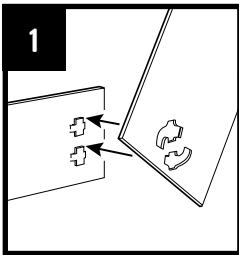
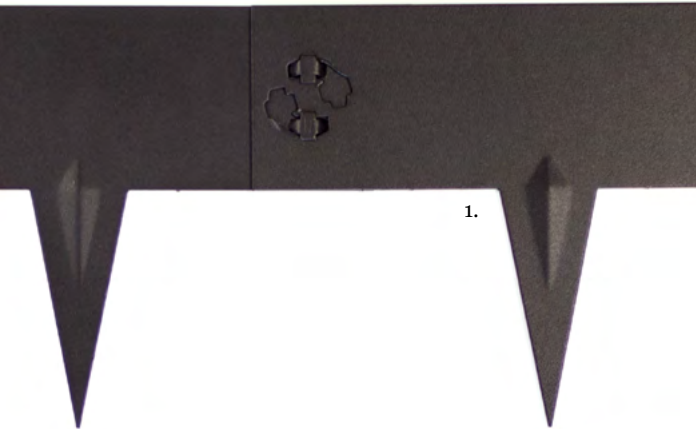
## Stylish edges in your garden

Multi-Edge METAL lawn edging makes it easy to create stylish edges with any desired contour, whether you want a winding gravel garden path or neat lawn edges along a border. A choice of 5 finishes means that you can always find just the right one for the look you want.

- ✔ High quality (1.5 mm thick steel)
- ✔ Long lifespan
- ✔ Recyclable
- ✔ Easy to install without pins or bolts

## Quick to install

The smart interconnecting system makes it easy to connect the edging segments without the need for any special tools.



## Your choice of finishes

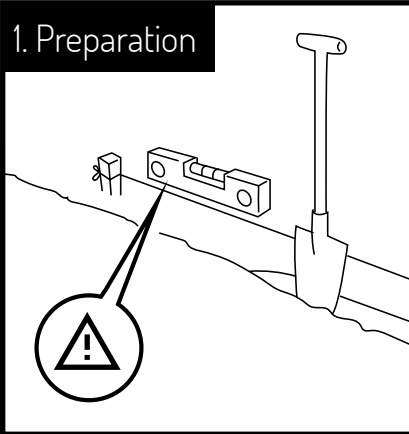
Multi-Edge METAL is available in five finishes:  
1. Black coated, 2. Corten steel,  
3. Galvanised, 4. White coated,  
5. Stainless steel



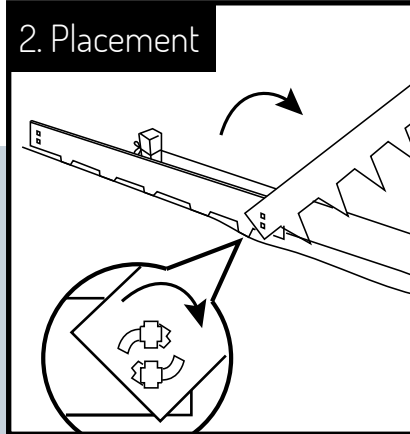
# Installation instructions



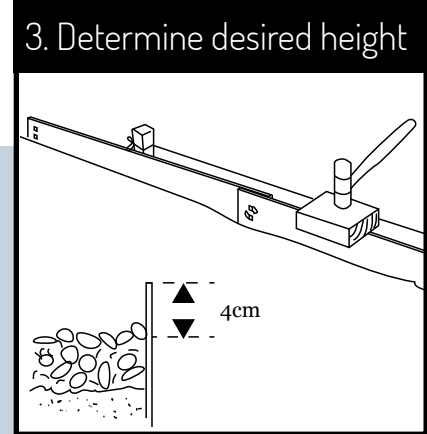
Keep out of reach of children. Product contains sharp edges. Use safety gloves. Make sure that no people or animals can step or fall on the edging after installation.



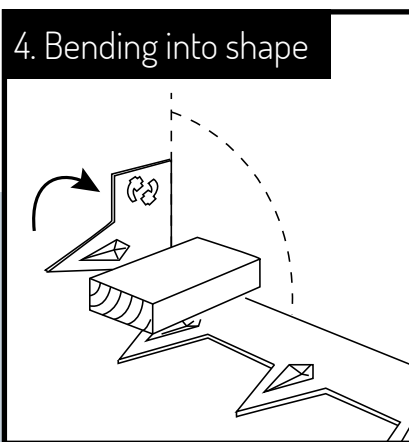
**1. Preparation**  
Mark out the desired contour (straight, curved, etc.) with twine and stakes. Dig a spade about 8 cm into the soil.



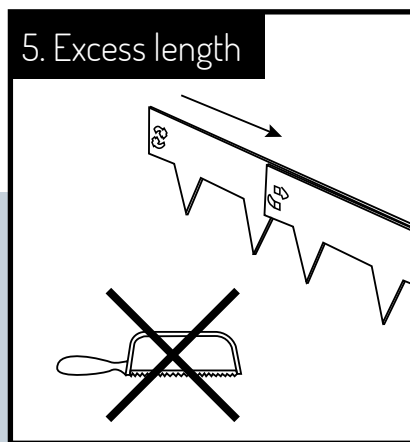
**2. Placement**  
Insert the first segments loosely into the soil and connect the next segments one by one.



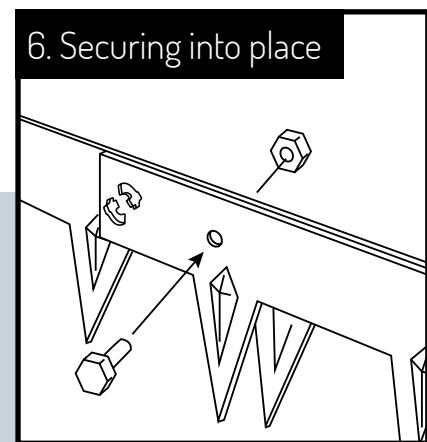
**3. Determine desired height**  
Tap the lawn edging segment gently down to the desired height of the border. For optimum stability, make sure that at least 4 cm is visible above the soil level.



**4. Bending into shape**  
Use a workbench (if using a vice, use wooden blocks to prevent scratches) or a wooden block to bend the segments. Bend the segments by hand to create curved contours.

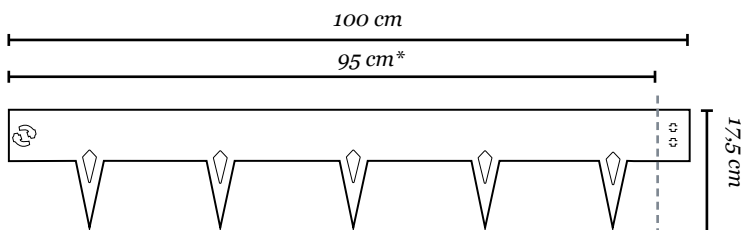


**5. Excess length**  
Sawing off excess length is not advisable. For optimum stability, let excess length overlap.



**6. Securing into place**  
Another option is to secure overlapping segments by drilling a hole in them and securing them with a nut and bolt (of the same material as the lawn edging). For a coated finish, apply a primer to the materials to protect them from corrosion.

004



\*working length. To calculate how many segments you need for the total required length you have to edge, divide this length by 0.95.

**multi edge METAL**



## Edge protection

Are you installing the Multi-Edge METAL in a place where people or pets can step or fall on the edging? If so, you can choose for a protective strip that can be clamped around the edging. (available separately)