

multi edge ADVANCE

NEW!
AVAILABLE IN
GALVANISED AND
CORTEN STEEL



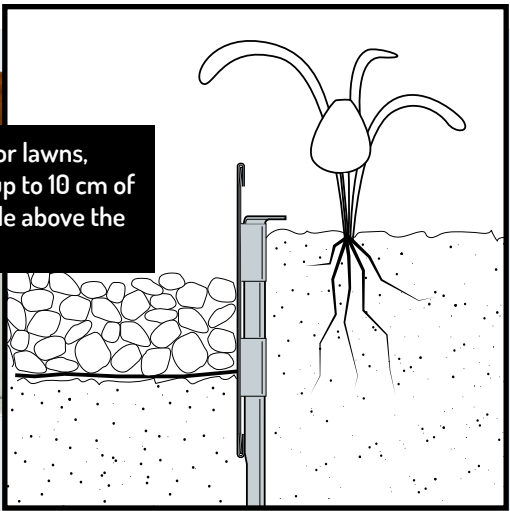
Advanced edging system designed to be seen

Multi-Edge ADVANCE is a high-quality edging system for lawns, borders and gravel areas, for example. The unique smart interconnecting system uses connector strips to connect the profiles and are secured by means of fixing stakes, creating a harmonious and smooth transition between profiles. Multi-Edge ADVANCE segments are 1 mm thick and have a 3 mm fold at the top and bottom, giving the system an attractive and solid feel and ensuring that the profiles are still easy to install if they have been bent to form a curved shape. Multi-Edge ADVANCE is available in galvanised and Corten Steel.

- ✔ High-quality profiles 20 cm high
- ✔ Stable and lightweight
- ✔ Interconnecting system invisible after installation

Available in galvanised and Corten Steel

When installed as edging for lawns, borders and gravel areas, up to 10 cm of the profile can be left visible above the surface of the soil



Profiles can be left straight or bent to form a curved shape

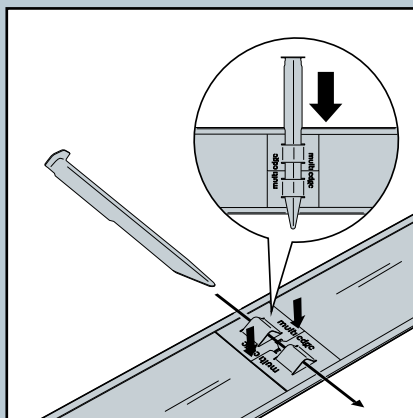
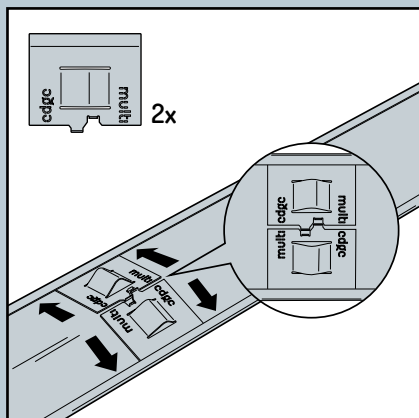
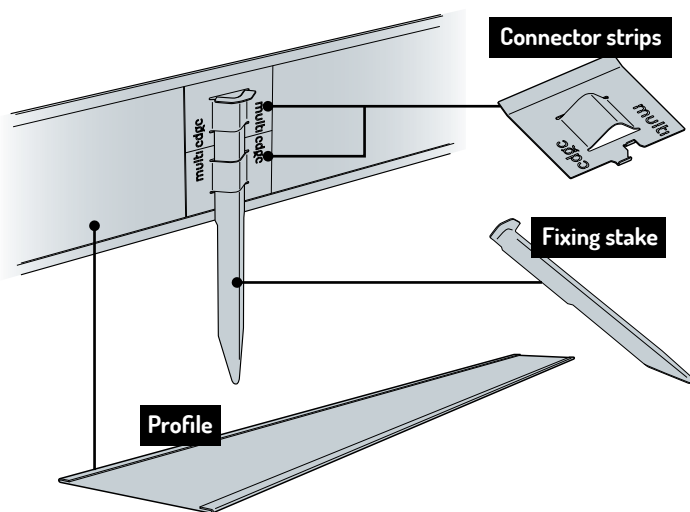
Unique interconnecting system allows each fixing stake to be attached in any chosen position

SMART GARDEN EDGING SOLUTIONS

multi edge

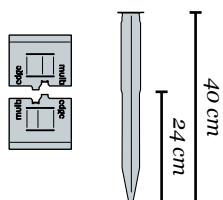
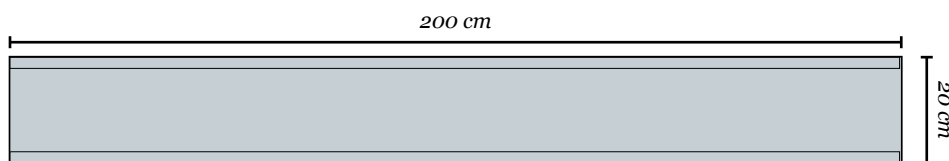
A superb finish for any application

The folded top and bottom edges of the profile give the edging a stable and solid feel. The unique feature of Multi-Edge ADVANCE is that the connector strips and fixing stake are not seen on the visible side of the edging. The smart interconnecting system ensures that the ends of the profiles fit together perfectly. The profiles are easy to bend. An extra neat 90° angle can be created using special corner pieces.

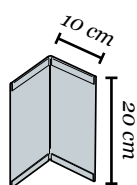


Smart interconnecting system

Fixing stakes are attached to the profile, ensuring the stability of the installed edging. You can attach them wherever you choose! You push a connector strip underneath the top and bottom edge of the profile, press it against the profile and then insert the fixing stake. This handy method also makes the profiles easy to connect together.



Connection set
(2x Connector strips + 1 Fixing stake)



90° corner piece
(available separately)

Each 2-metre profile comes with 3 connection sets.

Each corner piece comes with 1 connection set.

multi edge
ADVANCE