

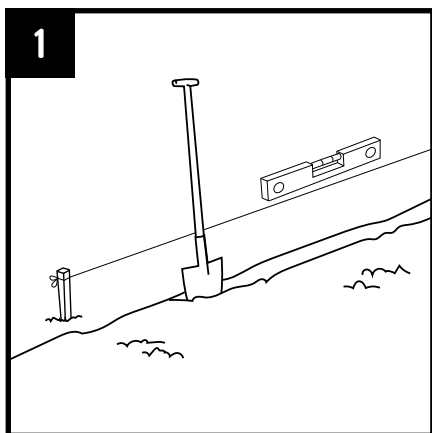
# multi edge ECO

## Installation instructions

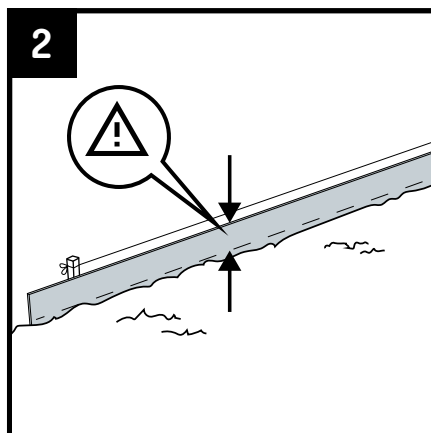


Keep out of reach of children.  
Wearing safety gloves is recommended.

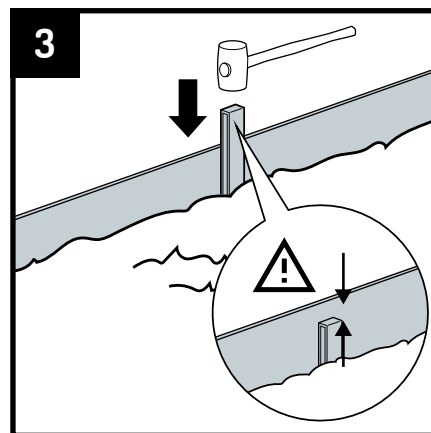
For a straight border, choose Multi-Edge ECO in straight parts.  
For a curved border, choose Multi-Edge ECO on a roll.



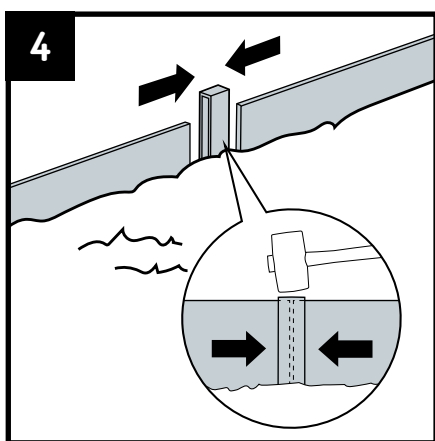
1 Dig a channel. Make sure that at least half of the edging is able to disappear into the channel. For straight edging, mark out the line along which the Multi-Edge ECO is to be installed using twine and pegs.



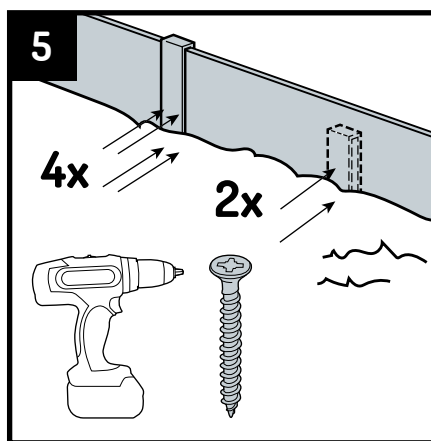
2 Place the edging into the channel. Make sure that at least half of the edging is in the ground. The edging is even more stable when it is inserted deeper into the ground. Cut off any excess length of edging using a hand saw for wood.



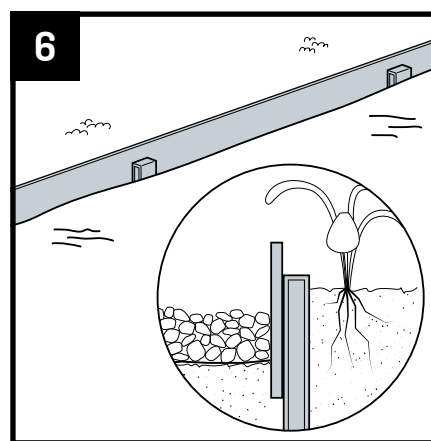
3 Place fixing stakes at 50 cm intervals along the edging. Tap these into the ground using a rubber mallet. Make sure that the fixing stakes protrude a few cm lower than the top edge of the edging. Once installed, the fixing stakes will no longer be visible.



4 It is possible to insert the ends of the edgings into a fixing stake profile. This is not necessary but creates a stable, smooth transition. Smooth corners can be created by sawing through the edging and placing them against each other at the desired angle.



5 Gently tap down the edging to the desired height using a rubber mallet. Screw the fixing stakes to the edging using 2 stainless steel 4 x 30 mm screws. Screw down any fixing stake that has been used as a transition between two profiles using 4 screws.



6 Backfill the channel with soil, sand or another material. Then lay grass, gravel or another type of ground cover up to the edging. Now you are ready to enjoy your garden project!