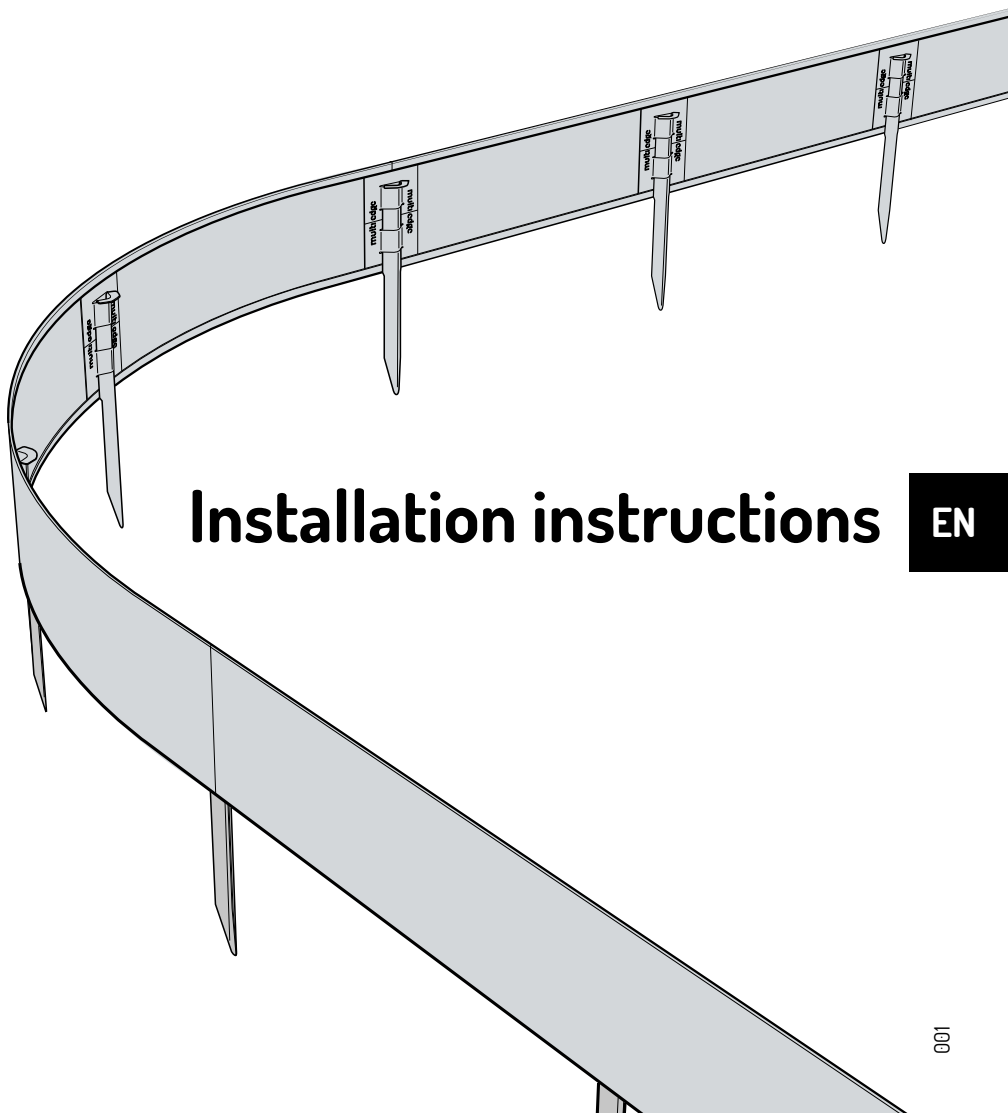


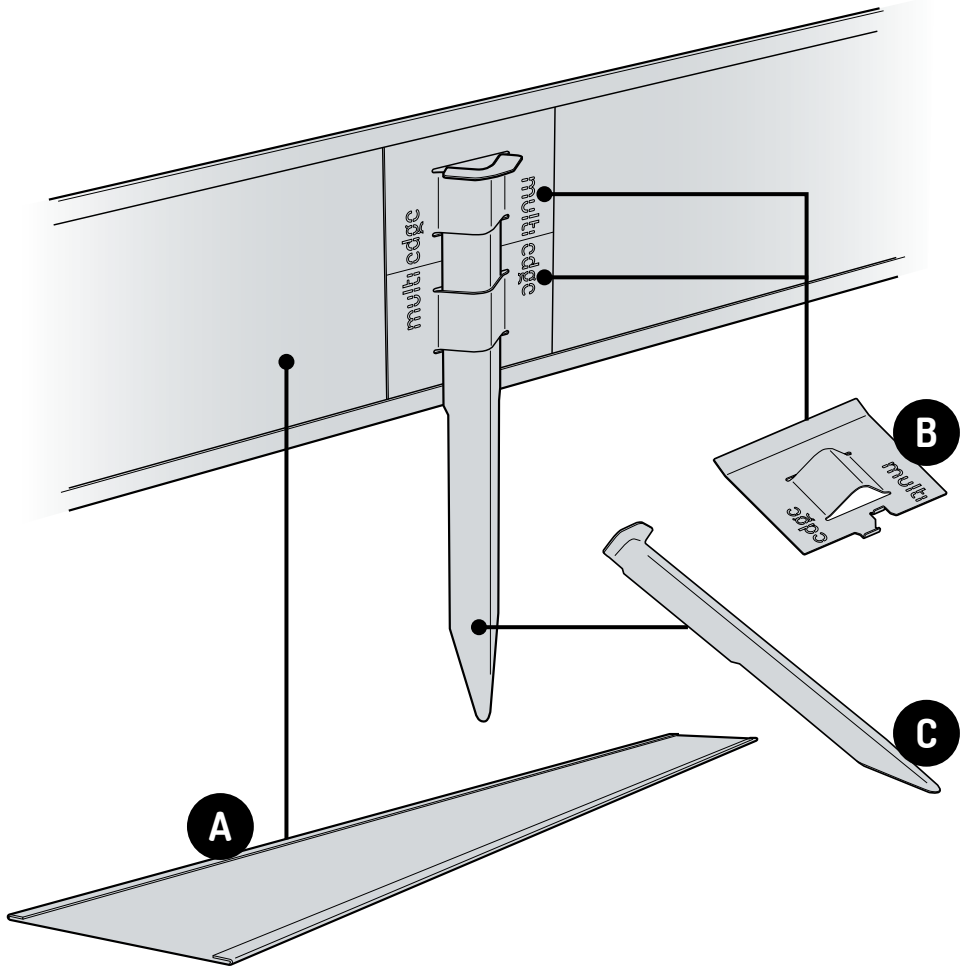
**multi edge**

**ADVANCE**



**Installation instructions**

**EN**



**A Profile**

Profile with folded top and bottom edges into which the connector strips are inserted

**B Connector strips**

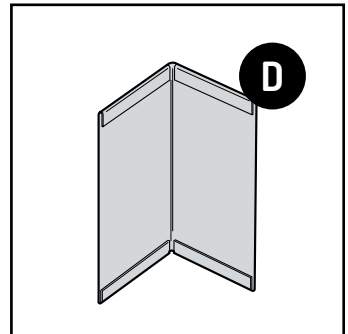
Each fixing stake is attached to the profile using two connector strips. The connector strips are also used to connect the profiles together

**C Fixing stake**

The fixing stake is inserted in the soil to give the edging stability

**D Corner piece (optional)**

The corner piece can be used to create 90° angles

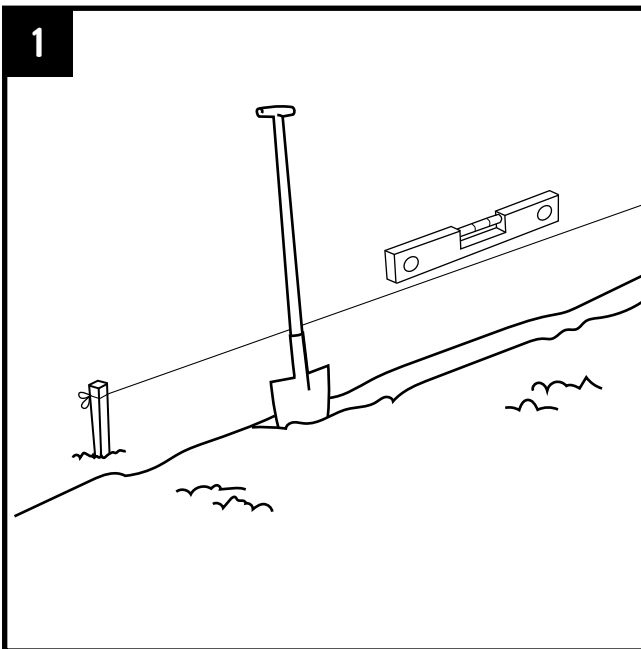


## WARNINGS & MAINTENANCE



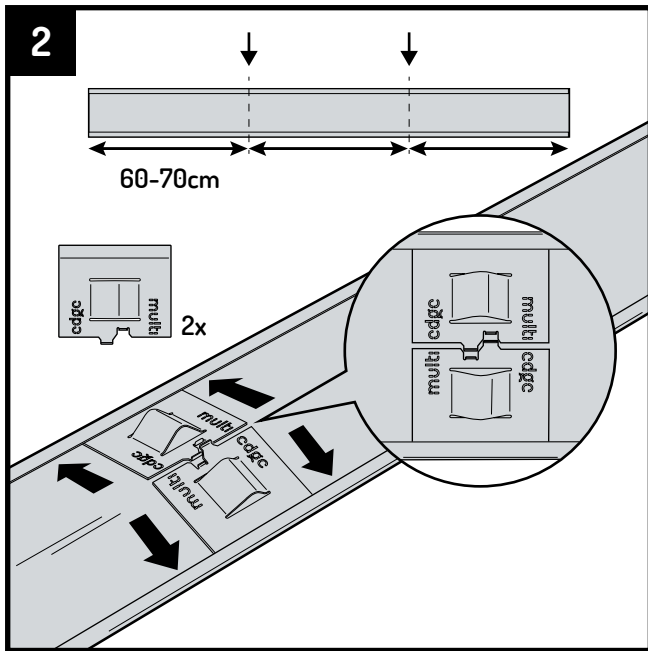
- Keep out of reach of children.
  - Wearing gloves is recommended.
  - Take care when using lawnmowers and edge trimmers in order to avoid any damage.
- 
- You can clean the edging profiles using a soft brush.
  - There is no layer of rust on Multi-Edge ADVANCE in CORTEN at the time of delivery. The layer of rust will develop over time depending on the weather.

## INSTALLATION INSTRUCTIONS

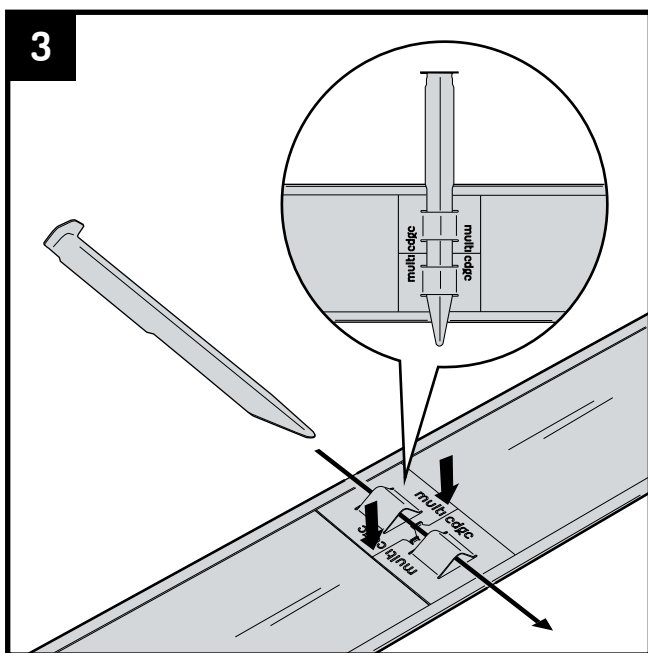


Mark out the line along which the Multi-Edge ADVANCE is to be installed with twine and pegs. Dig a channel at least 10 cm deep along that line.



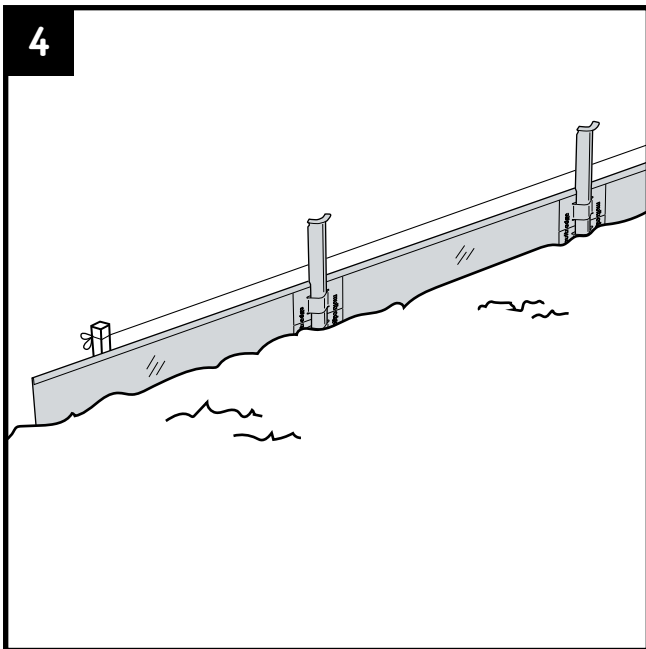


Before the profiles are installed in the soil, fit 2 connector strips at 60-70 cm intervals for attaching the fixing stakes to the profile. Do this by pushing a connector strips underneath the top and bottom edge of the profile. Make sure that the connector strips fit together.



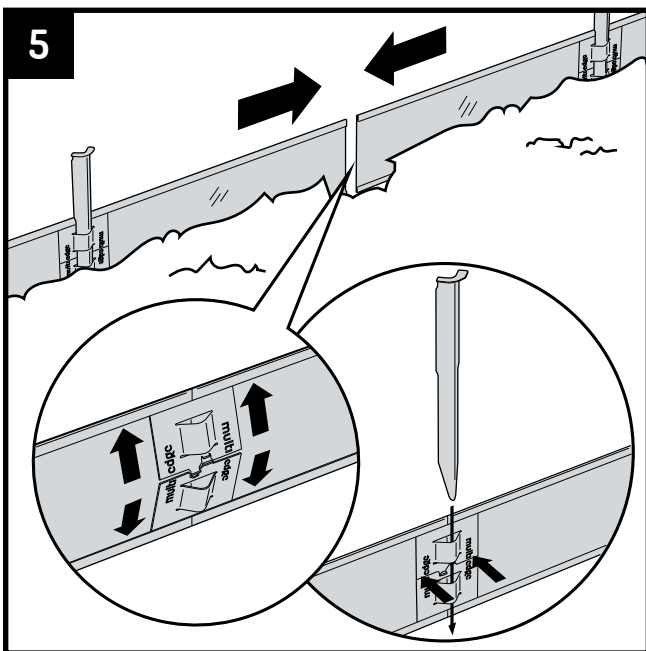
Press the connector strips against the profile. Push the fixing stake through the openings in the connector strips and leave half of the fixing stake protruding above the profile.

4



Place the profile loosely in the channel dug. Bend the profile by hand to create a curved contour. Bend the profile around a solid object (e.g. the edge of a workbench) to create an angle. Or use the optional corner pieces (step 6). Cut off any excess length using a grinder or metal saw.

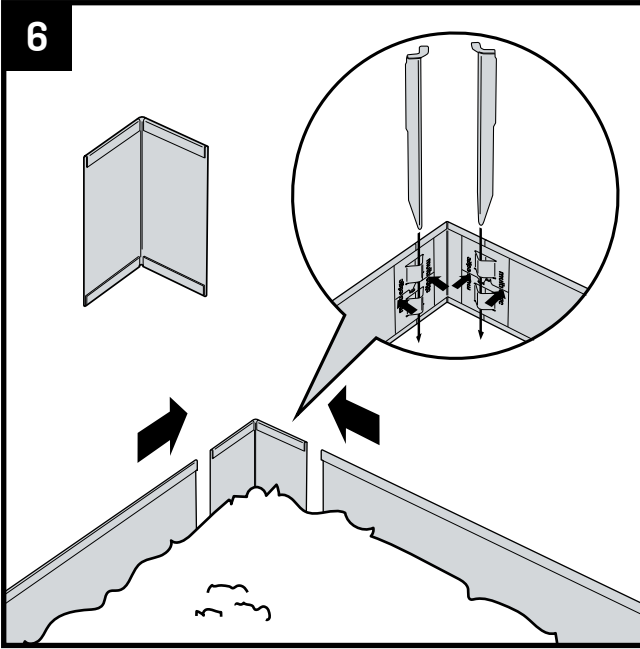
5



Widen the channel dug at the ends of the profiles if necessary. Push the connector strips under the top and bottom edge of the profile. Press the connector strips against the profile and push the fixing stake through the openings in the connector strips. Leave half of the fixing stake protruding above the profile.

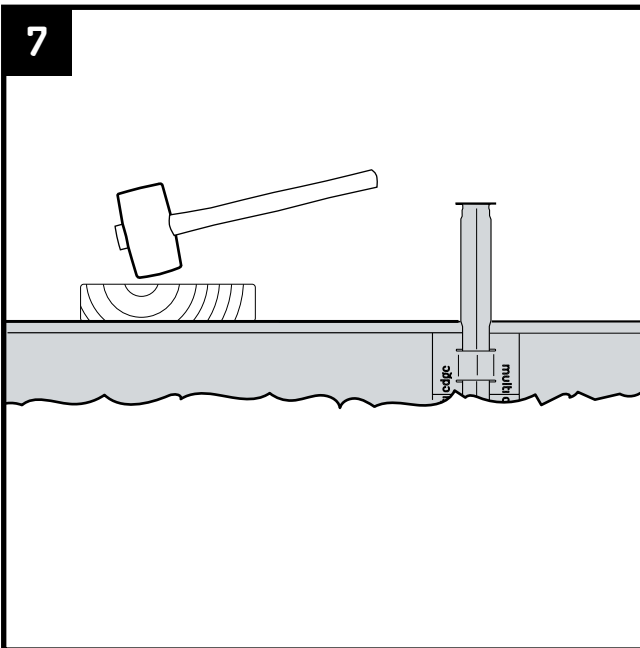


6

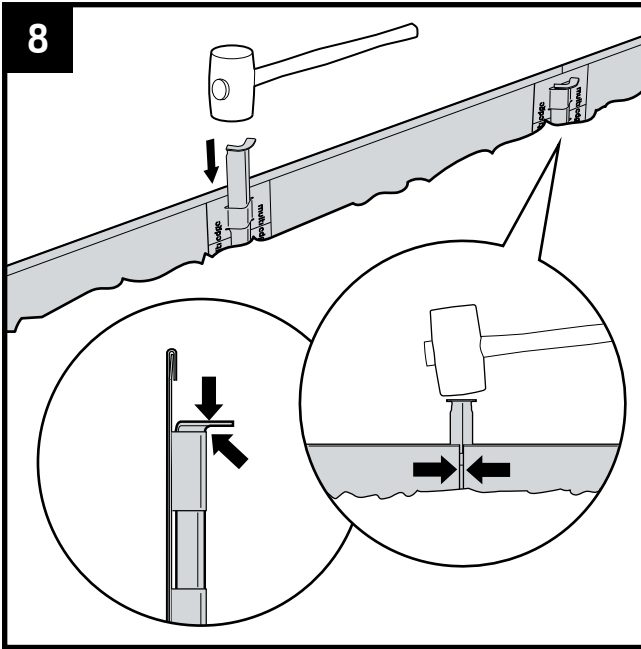


For extra neat 90° angles, use the optional corner pieces. Connect the corner pieces to the profiles using the connector strips. Press the connector strips against the profile and push the fixing stake through the openings in the connector strips, leaving half of the fixing stake protruding above the edging profile.

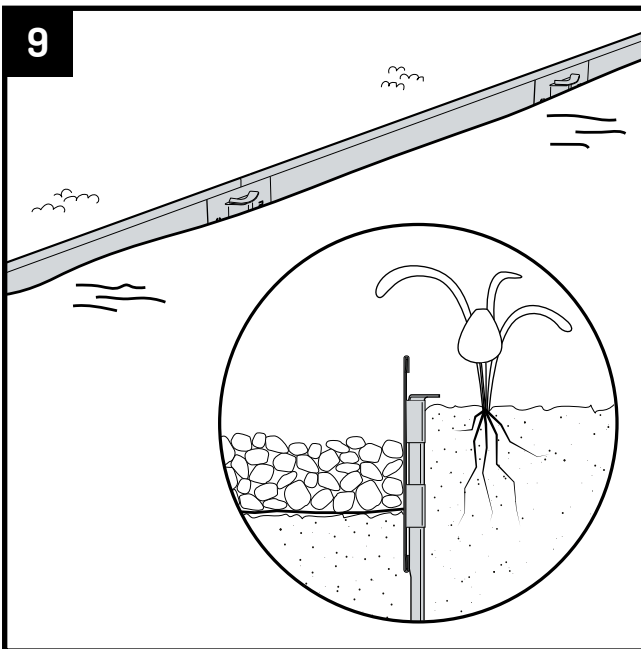
7



Gently tap down the profiles to the desired height. Use a wooden block to avoid damaging the profiles. For stability, leave no more than 10 cm of the profile protruding above the surface of the soil.



Gently tap all the fixing stakes into the soil with a hammer until the top comes into contact with the connector strips. Close the seams at the ends of the profiles and corner pieces by pressing the ends together and then gently push the fixing stake into the soil.



Backfill the channel with soil, sand or another material. Then lay grass, gravel or another type of ground cover up to the edging.