

NEW!
100% RECYCLED

multi edge®

ECO

Sustainable and attractive:
a versatile edging

Multi-Edge ECO is a series of edgings made from 100% recycled plastic. With a choice of rolls and straight parts in a range of colours, the Multi-Edge ECO always offers a suitable solution for your garden. The edging contains small pieces of plastic packaging, giving it its unique rough texture and natural appearance. Multi-Edge ECO therefore combines the best of both worlds.

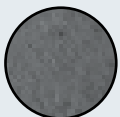
- ✓ Available in a range of sizes
- ✓ Natural appearance
- ✓ Easy to install
- ✓ Sustainable choice



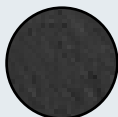
A solution for every application

The Multi-Edge ECO is available on a roll for curved or round edgings. Ideal for areas around trees, pond edges and curved borders etc. Or choose straight parts to create straight borders, grass edges or to finish a straight path or driveway. Depending on the application, there is a range of heights to choose from. Choose a lower edging that is less visible or a higher edging to compensate for small differences in height, for example.

Available colours:



GREY



BLACK




BROWN - CORTEN

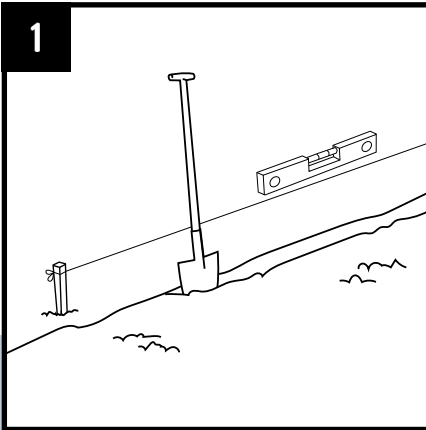


SMART GARDEN EDGING SOLUTIONS

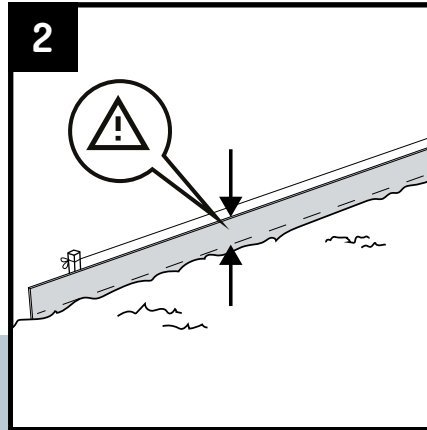
multi edge®

Installation instructions

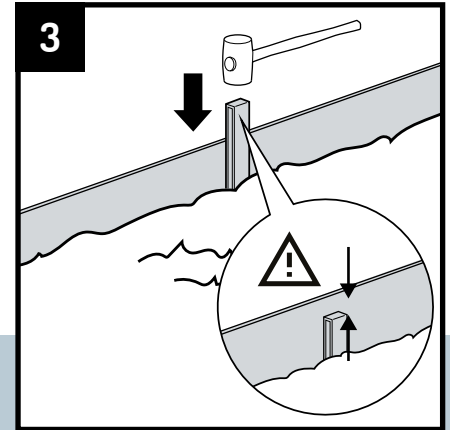
 Keep out of reach of children.
Wearing safety gloves is recommended.



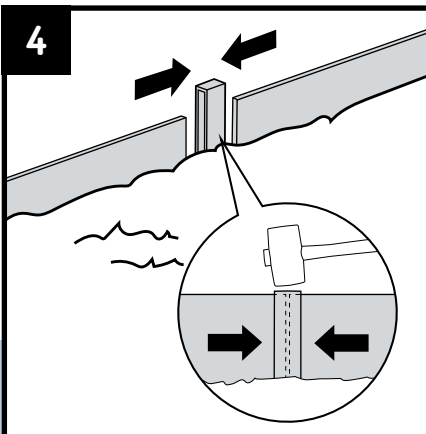
1 Dig a channel. Make sure that at least half of the edging is able to disappear into the channel. For straight edging, mark out the line along which the Multi-Edge ECO is to be installed using twine and pegs.



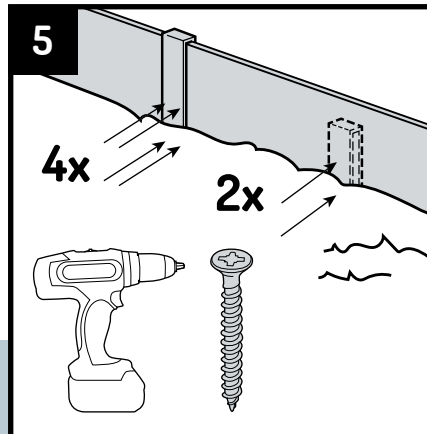
2 Place the edging into the channel. Make sure that at least half of the edging is in the ground. The edging is even more stable when it is inserted deeper into the ground. Cut off any excess length of edging using a hand saw for wood.



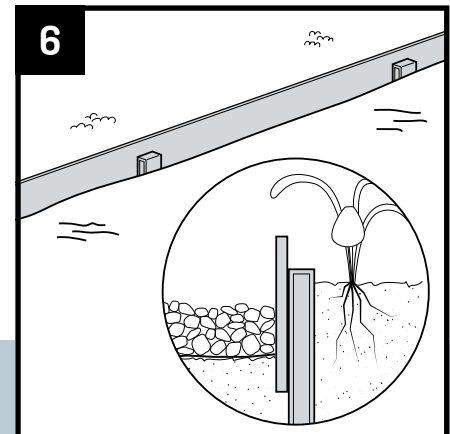
3 Place fixing stakes at 50 cm intervals along the edging. Tap these into the ground using a rubber mallet. Make sure that the fixing stakes protrude a few cm lower than the top edge of the edging. Once installed, the fixing stakes will no longer be visible.



4 It is possible to insert the ends of the edgings into a fixing stake profile. This is not necessary but creates a stable, smooth transition. Smooth corners can be created by sawing through the edging and placing them against each other at the desired angle.

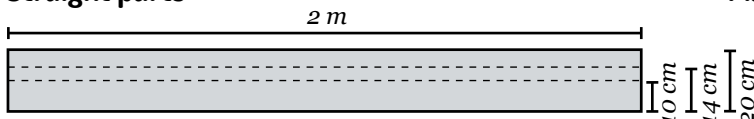


5 Gently tap down the edging to the desired height using a rubber mallet. Screw the fixing stakes to the edging using 2 stainless steel 4 x 30 mm screws. Screw down any fixing stake that has been used as a transition between two profiles using 4 screws.



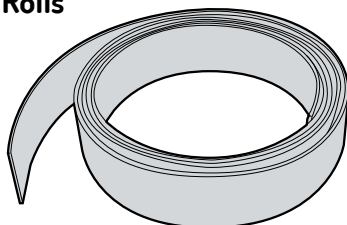
6 Backfill the channel with soil, sand or another material. Then lay grass, gravel or another type of ground cover up to the edging. Now you are ready to enjoy your garden project!

Straight parts



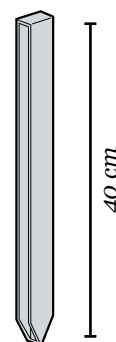
Available sizes: 2m x 10cm, 2m x 14cm and 2m x 20cm
Approximately 1 cm thick

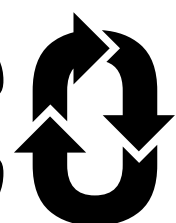
Rolls



Available sizes:
10m x 10cm
10m x 14cm
10m x 20cm
20m x 10cm
20m x 14cm
20m x 20cm
Approximately 1 cm thick

Fixing stakes



multi edge®
ECO 

For more edging solutions and information, please visit multi-edge.com