



multi edge

FLORA

Stylish and robust;
Corten steel planters

The Multi-Edge FLORA is a high-quality corten steel planter box made of 4 separate panels. The planter is easy to assemble thanks to the click-and-go system, with no extra tools required. The Multi-Edge FLORA panels are 1 mm thick, and the curved edges are giving it a strong and elegant look. The Multi-Edge FLORA comes in various sizes, suitable for any garden.

- ✔ High-quality corten steel
- ✔ Stable and lightweight
- ✔ Easy connecting system
- ✔ Available in 6 sizes



A planter for every garden

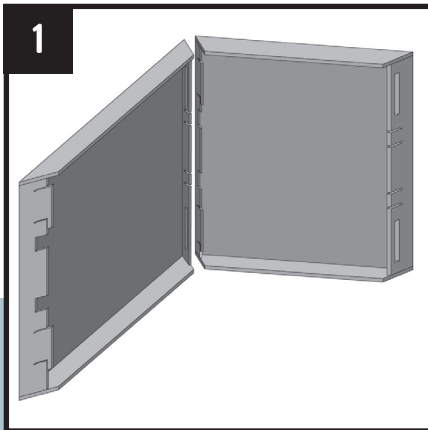
The Multi-Edge FLORA planter consists of 4 separate panels that are easy to assemble. Each panel is made from a single bent sheet, ensuring high stability and a sleek appearance. The panels are available in 3 sizes that can be combined (two-by-two), allowing for 6 different planter sizes. Whether large or small, the Multi-Edge FLORA is perfect for any outdoor space!



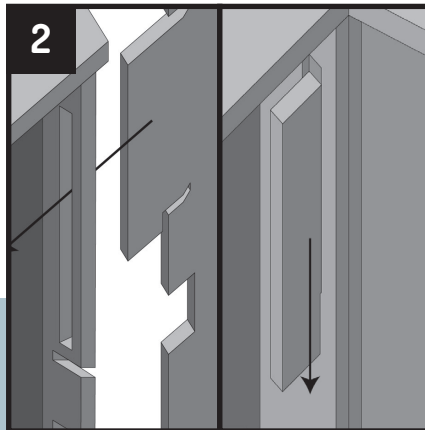
Installation instructions



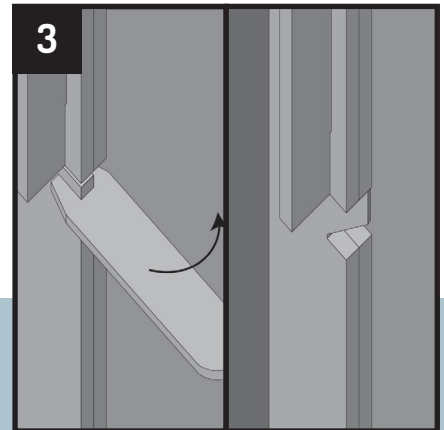
Keep out of reach of children.
Wearing gloves is advised.



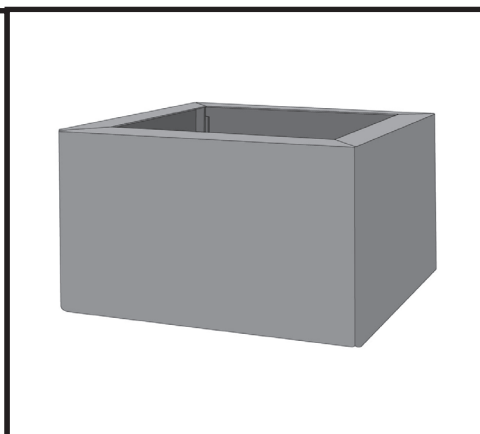
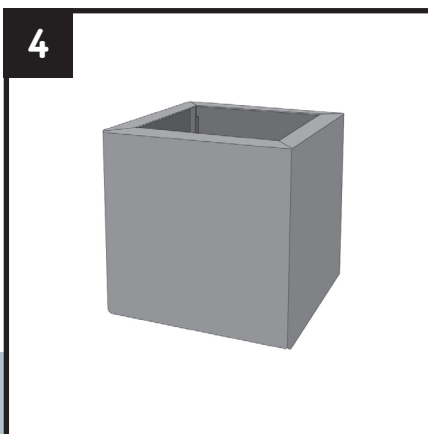
1
Each panel has two different sides. One side has two hooks and notches, the other has two slots and clips. Place panels with one of their sides facing each other.



2
Insert the hooks of one panel into the slots of the other and slide down to connect.

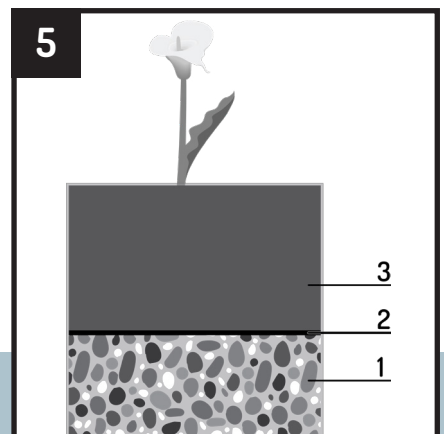


3
To ensure the panels don't come loose when moved, use the provided bending tool to bend the clips over the notches.



4
Repeat steps 1 to 3 for the remaining panels until all are connected. The planter should now look like the images above and is ready to be placed and filled.

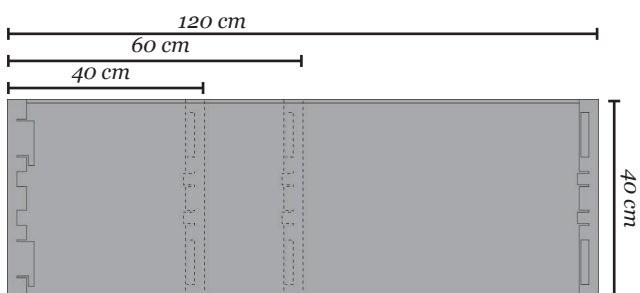
Please note! The planter is made of Corten steel but does not have a rust layer upon delivery. The rust layer will develop over time, depending on weather conditions.



5
When placing the planter, it is recommended to fill it in layers as shown above:

1. Gravel or pebbles
2. Weed control fabric
3. Soil

Planter panels



Bending tool



Each planter comes with one bending tool included.

multi edge
FLORA